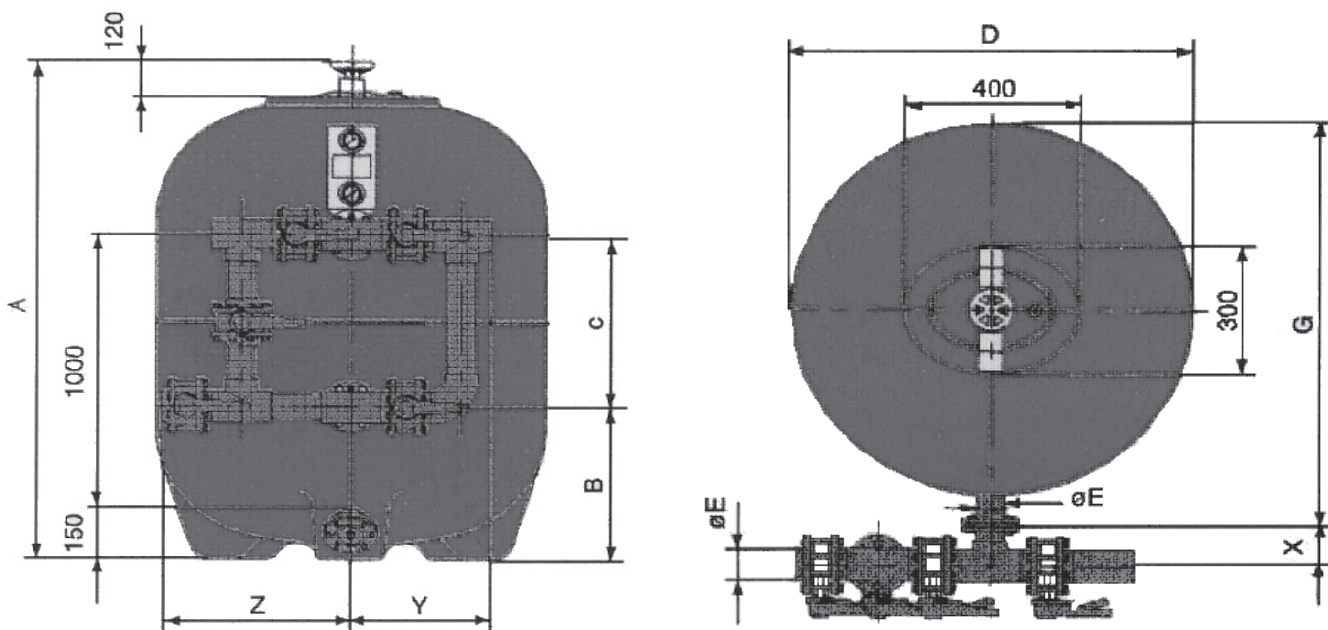


# SAND FILTERS

## BRASIL SAND FILTERS

Brasil (SSB) filters made in laminated polyester and reinforced with fibre glass. The Brasil filters are available with filtration bed 1,0 m. The Brasil filters are available with laterals system. # Please specify flange size for pipe ( D E ) connection. Please specify ozone resistant. Made with 2 pcs. sightglass. Test pressure 3,75 Kg./cm<sup>2</sup>. Operating temperature 1 - 50° C. Working pressure 1 - 2,5 Kg./cm<sup>2</sup>.



Size/in mm	D 1050	D 1200	D 1400	D 1600	D 1800	D 2000	D 2350	D 2500	D 3000
Filter area m <sup>2</sup>	0,86	1,13	1,54	2,01	2,54	3,14	4,34	4,9	7
Water flow m <sup>3</sup> /h. (20/40m/h/m <sup>2</sup> )	17/37	22-44	30-60	40/80	50/100	62/124	87/174	98/196	114/282
Sand quantity in Kg. Total	1375	1800	2475	3225	4075	5050	6975	8000	12000
Sand size 0,4 - 0,8 mm. Kg	1200	1575	2175	2800	3550	4400	6075	-	-
Sand size 1 - 2 mm. Kg	175	225	300	425	525	650	900	-	-
# Flange size available.(D E)	63-90	75-90	75-110	90-125	90-140	110-160	125-200	200	225

Dimension/in mm									
D	1050	1200	1400	1600	1800	2000	2350	2500	3000
A	1800	1800	1800	1800	2000	2000	2250	-	2480
B	550	550	550	550	600	600	700	-	800
C	600	600	600	720	720	800	800	-	900