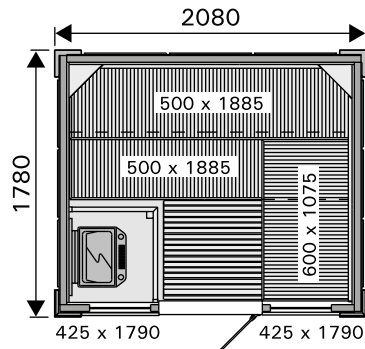


RUBIC

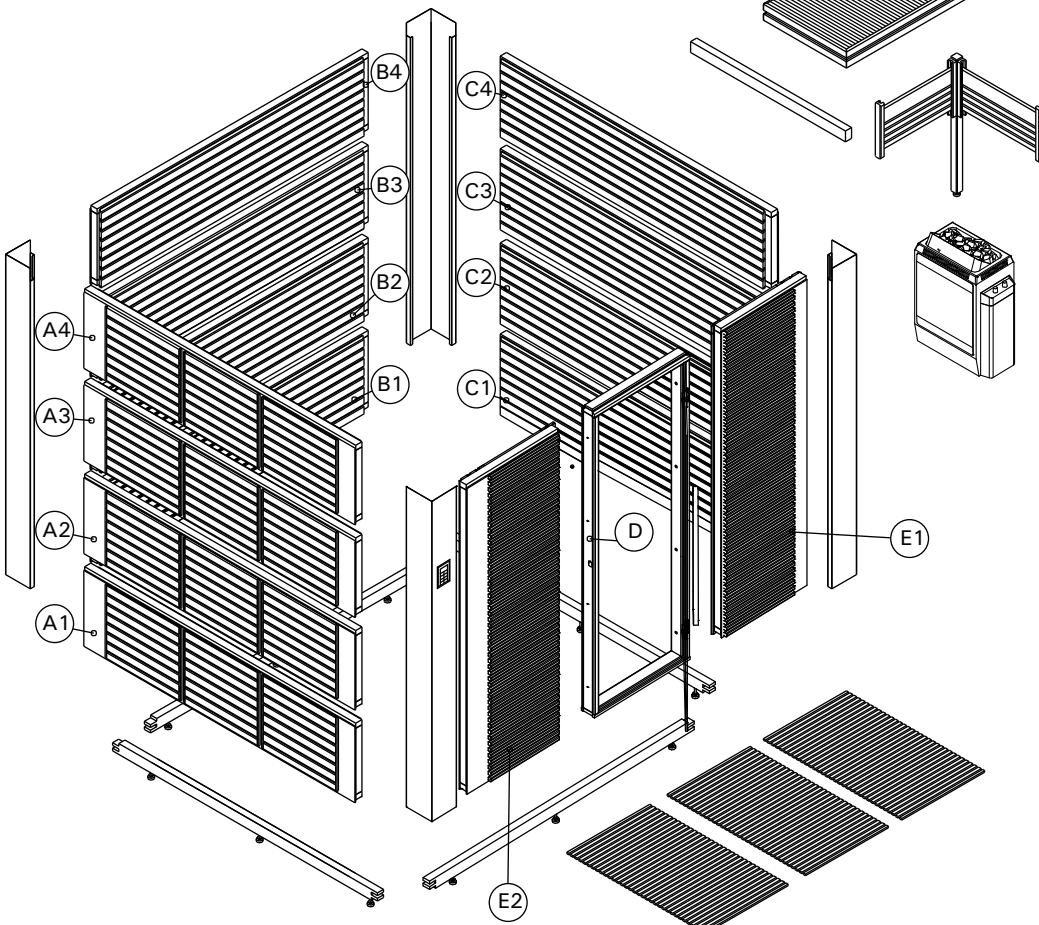
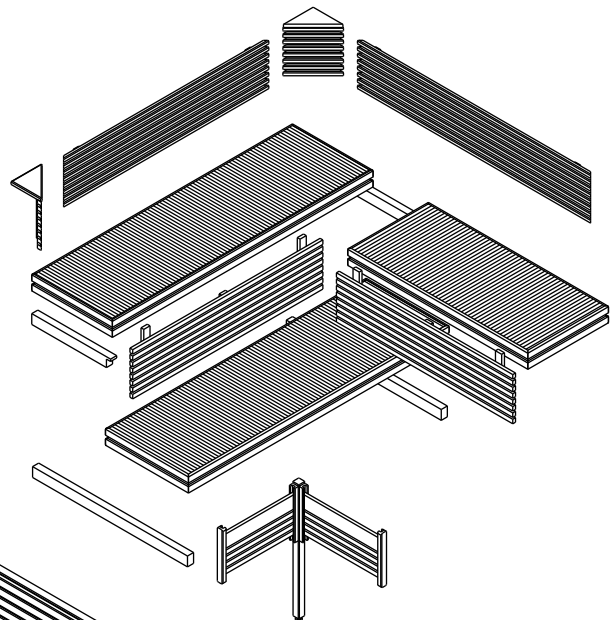
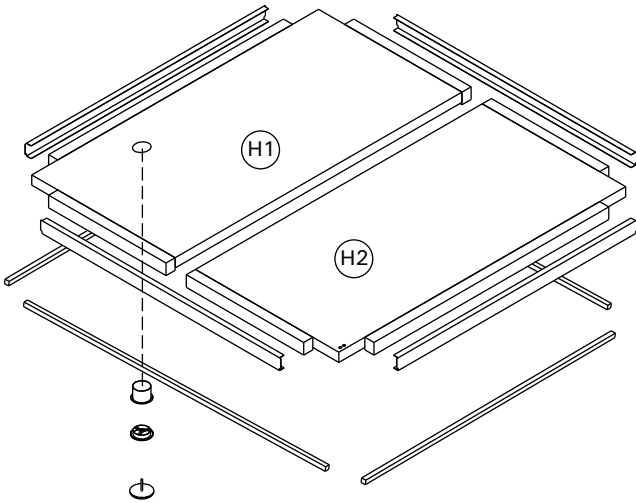
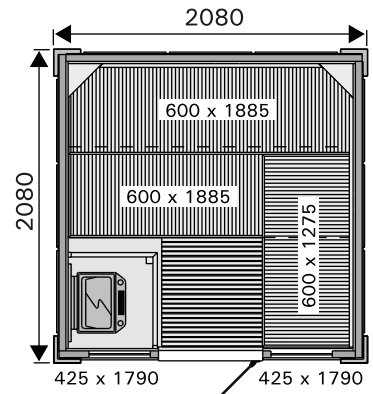
EN Assembly Instructions for Sauna



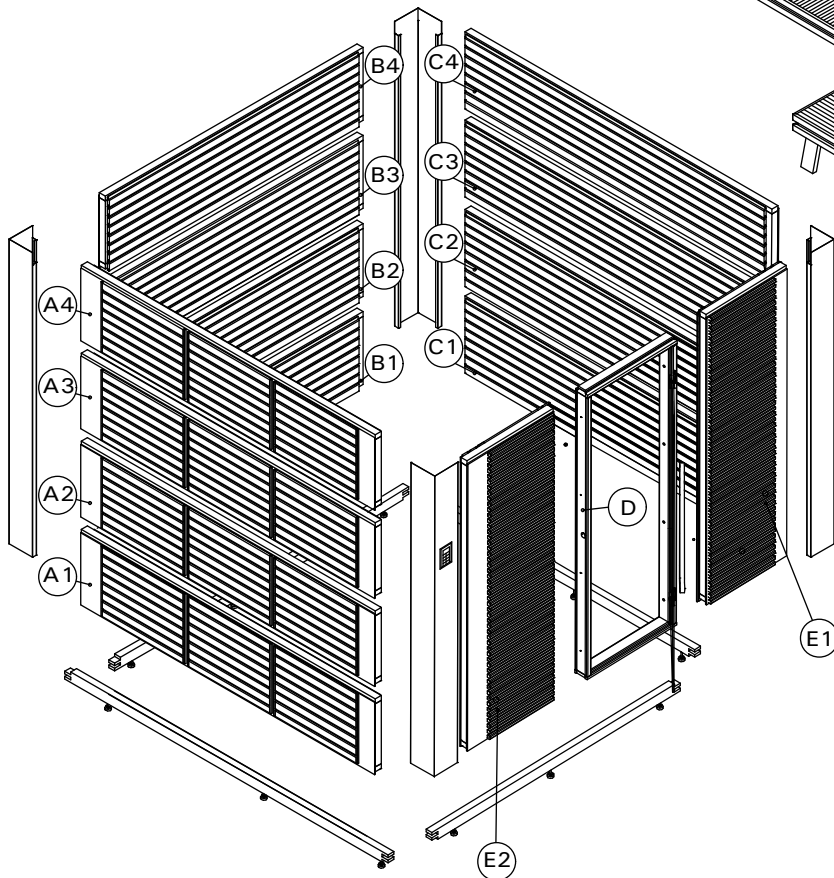
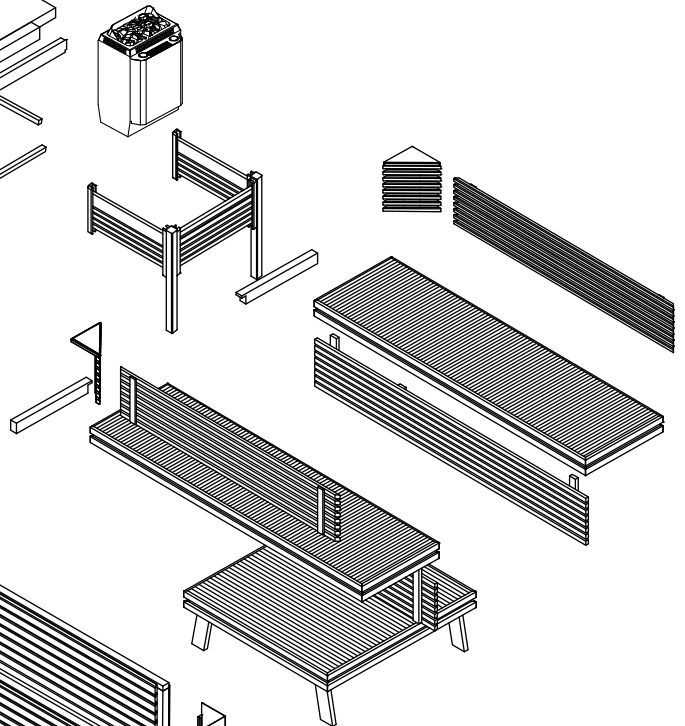
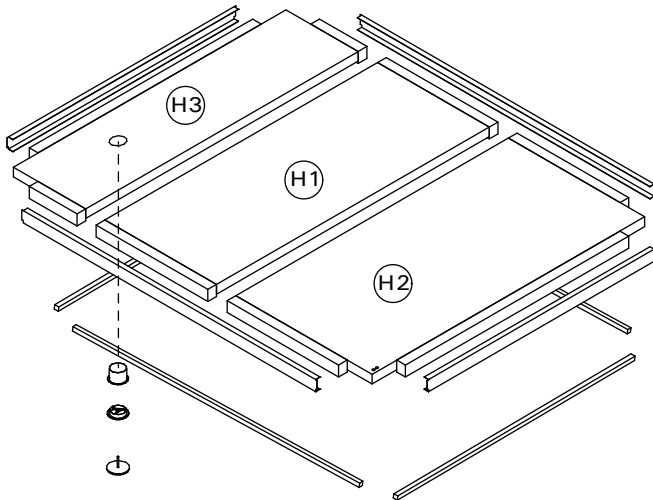
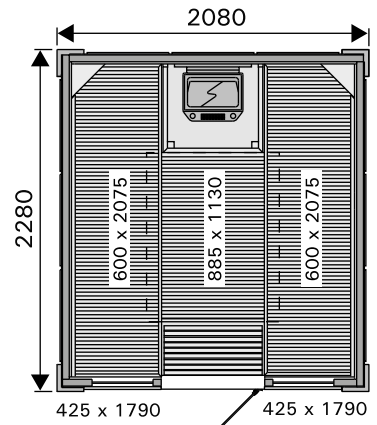
S2118RC



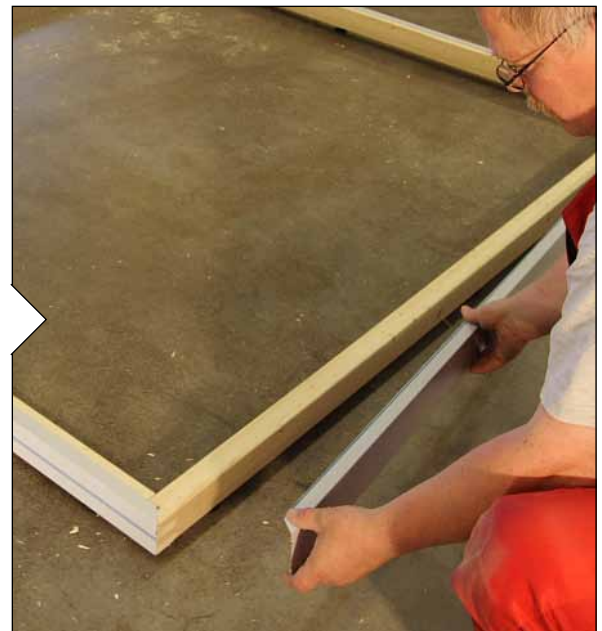
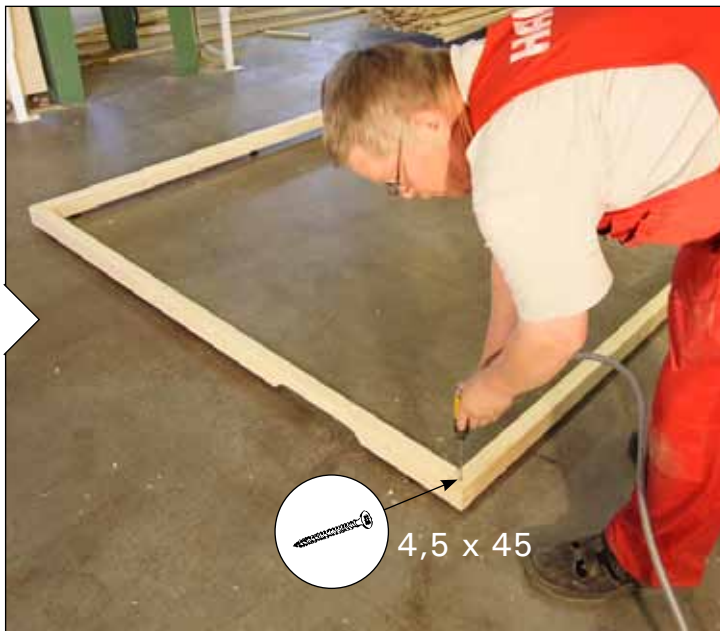
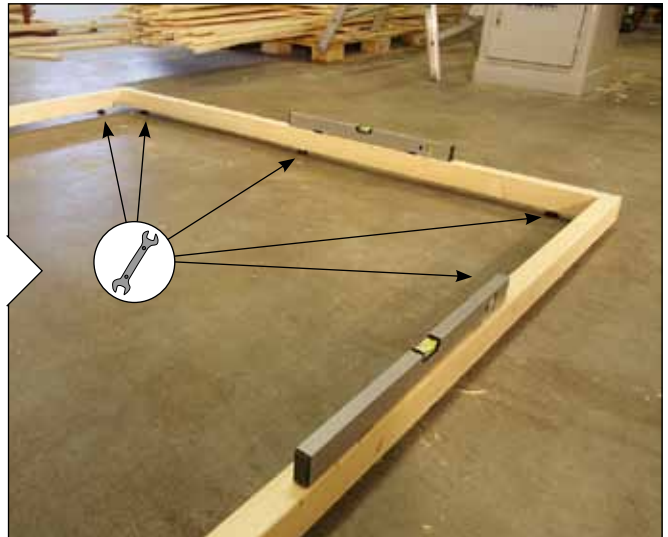
S2121RC



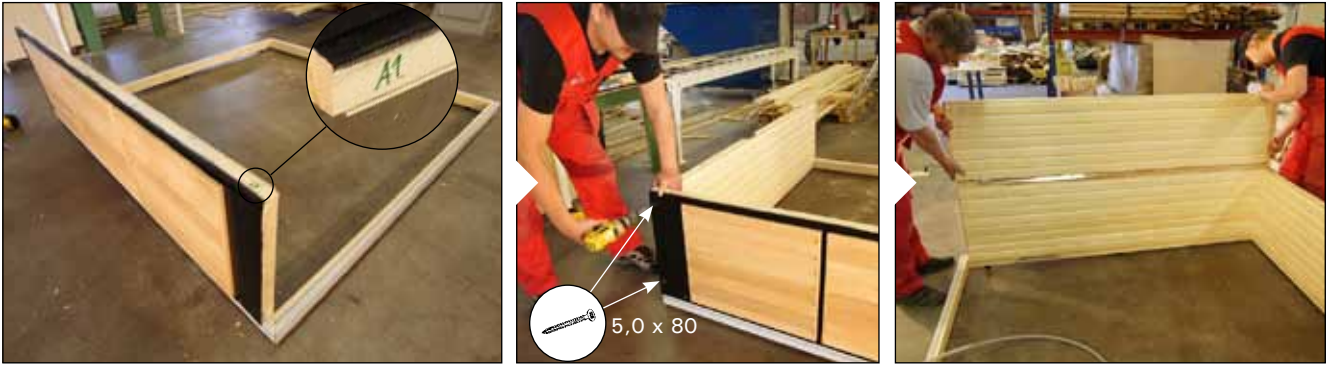
S2123RC



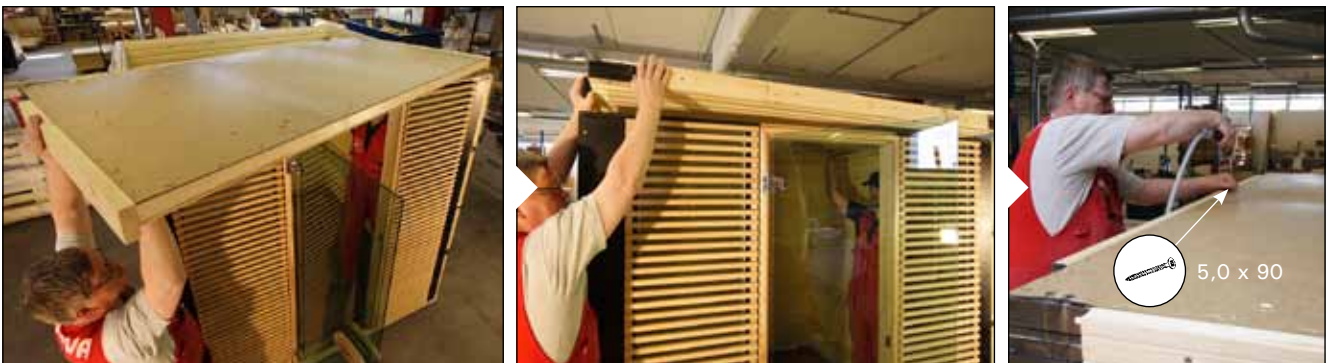
1. Assemble the base frame.



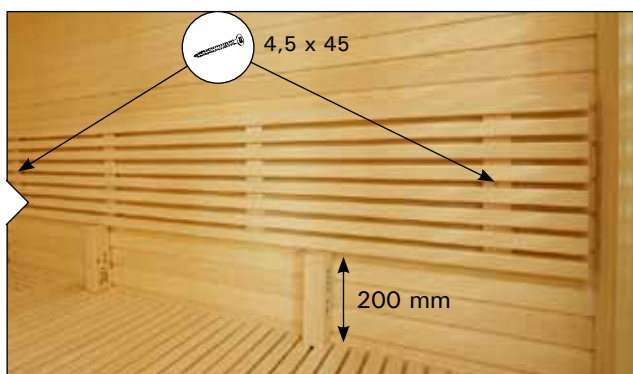
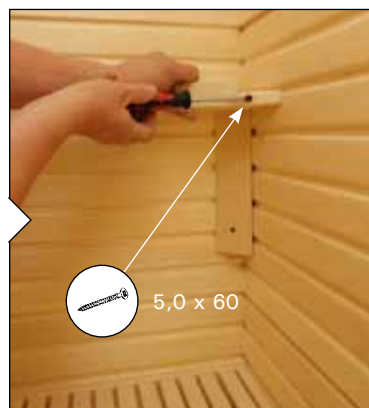
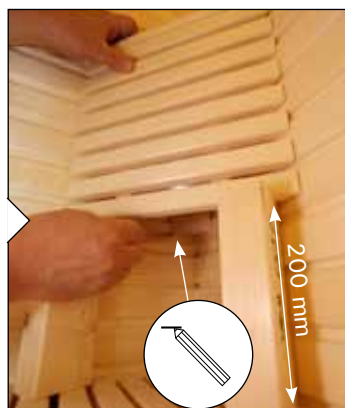
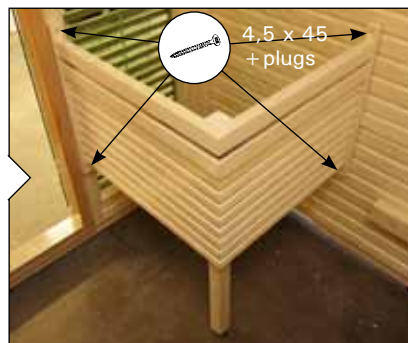
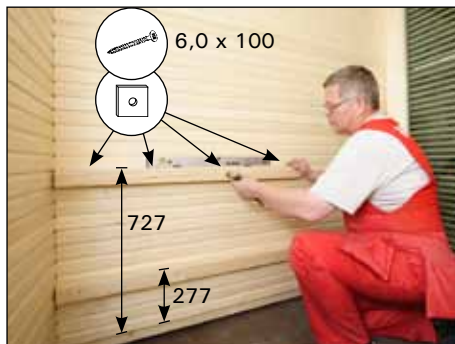
2. Assemble the walls.



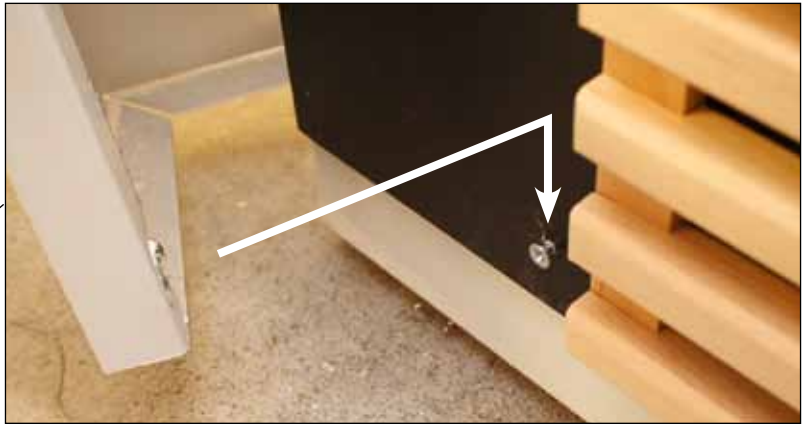
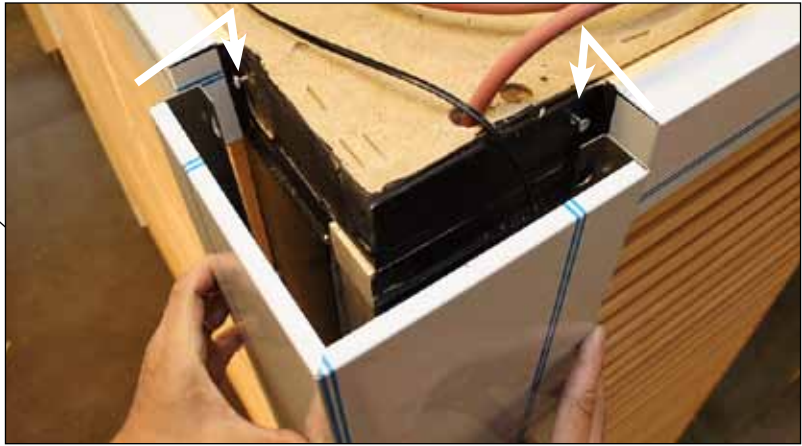
3. Assemble the ceiling elements.



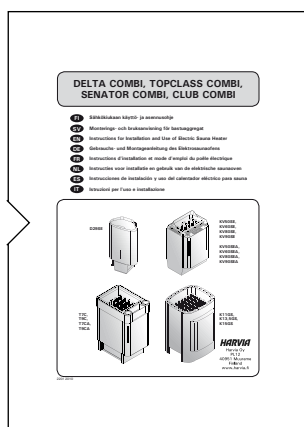
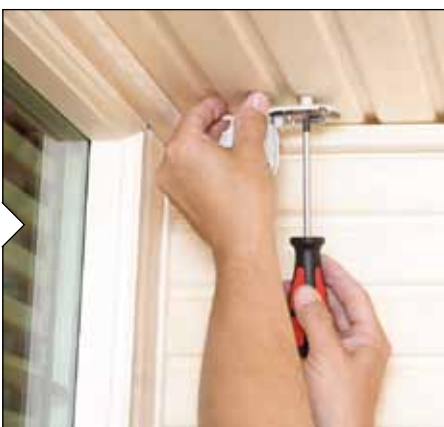
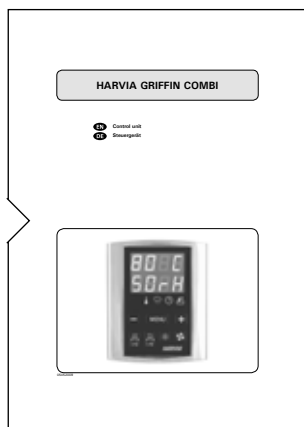
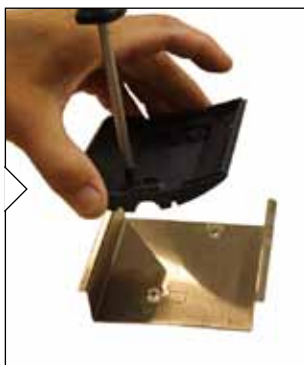
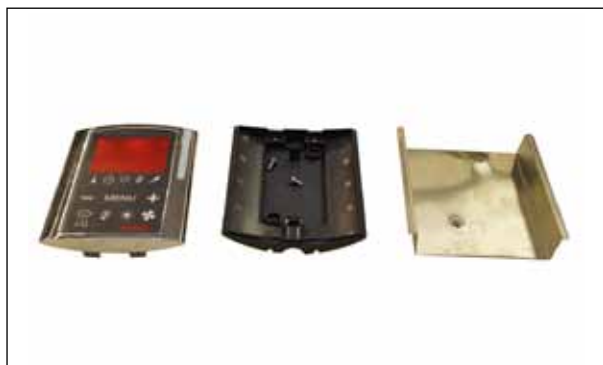
4. Assemble the interior.



5. Assemble the steel parts of the exterior.



6. Install the control unit and the heater.



HARVIA

Harvia Oy
 PL12
 40951 Muurame
 Finland
 www.harvia.fi